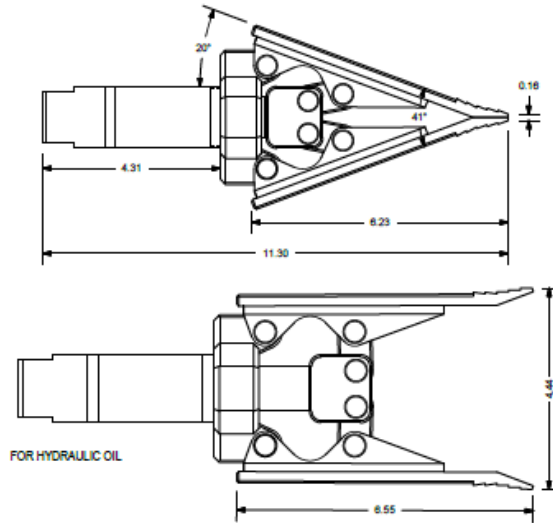


RatWedge™



Powerful hydraulic spreader quickly and quietly open security doors, window grills, car doors and trucks, etc. Compact and easy to use, the tool provides 3 tons of spreading force and has a 4" stroke. This tool is the perfect balance of size, opening force and value.

This remote spreader requires a hydraulic pump to operate. The RatWedge™ can be ordered separately or with a manual pump and 6 foot long hose.

Spreader specifications:

Rated Load:	3 tons (2,720 Kg) at blade tips
Closed blade height:	0.16 inch (4 mm)
Extended blade height:	4.14 inch (10,5 cm)
Arm Width:	2.5 inch ((6.4 cm)
Length:	11 inch (28 cm)
Working Pressure:	10,000psi (700 bar)
Weight:	7 lbs (3.2 Kg)

HS4 (RatWedge only)
HS4-P (Includes hydraulic pump and 6' hose)