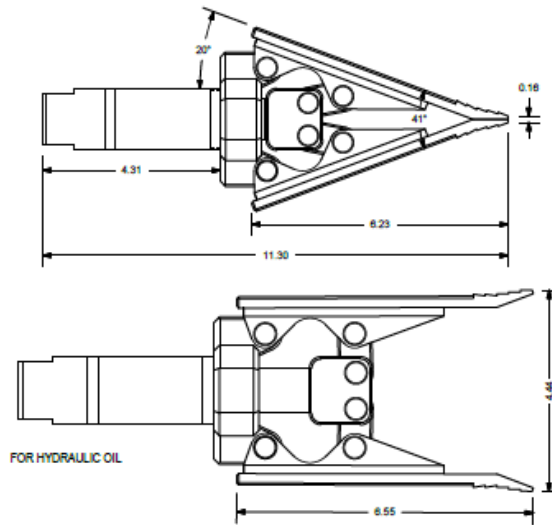


HS4 - 3 Ton Spreader



This powerful hydraulic spreader quickly and quietly opens security doors, window grills, vehicle doors, etc. Compact and easy to use, this tool provides 3 tons of spreading force and has a 4" stroke. The HS4 Three Ton Hydraulic Spreader is the perfect balance of size, opening force and value.

This remote spreader requires a hydraulic pump to operate. The HS4 Three Ton Spreader can be ordered separately, with an Electro-Hydraulic pump or with a manual pump.

Spreader specifications:

Rated Load:	3 tons (2,720 Kg) at blade tips
Closed blade height:	0.16 inch (4 mm)
Extended blade height:	4.29 inch (10.9 cm)
Arm Width:	2 inch (5.08 cm)
Length:	13.2 inch (33.6 cm)
Working Pressure:	10,000psi (700 bar)
Weight:	7 lbs (3.1 Kg)

HS4 (RatWedge only)
HS4-P (Includes hydraulic pump and 6' hose)

